



ADVANCED
RADIANT SYSTEMS

THE APEX RANGE INFRARED HEATERS

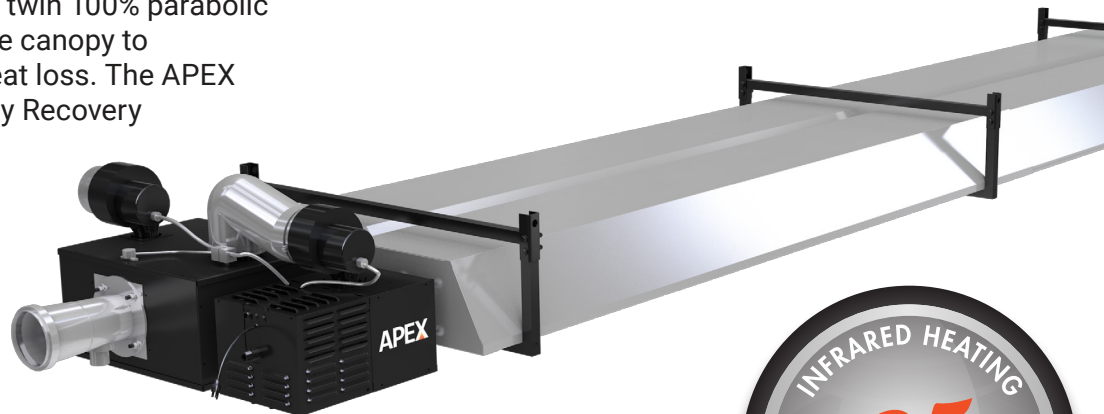


THE APEX RANGE

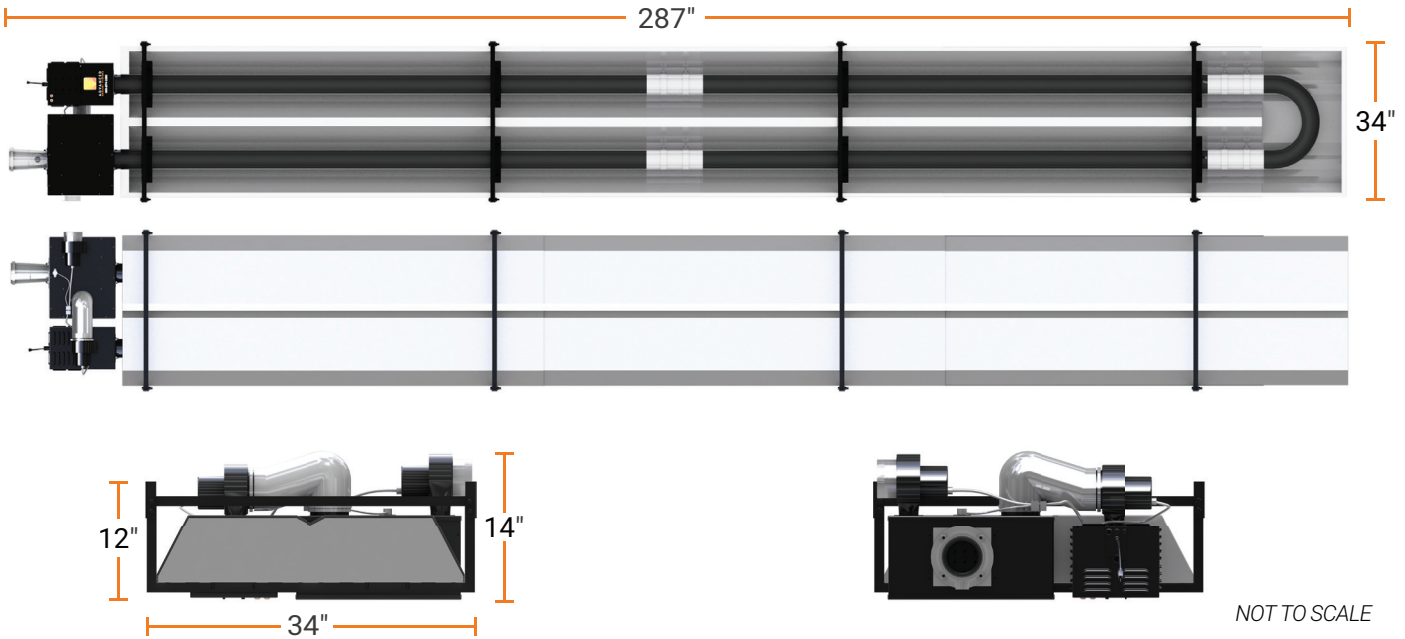
Advanced Radiant Systems is proud to introduce the highest efficiency, indirect fired radiant heater in the market today. The APEX Range is the pinnacle in infrared heating. It boasts the highest radiant output and thermal efficiency of any radiant tube heater in the world! Its pioneering design incorporates dual firing rates to optimize control and comfort while minimizing energy consumption. It is also the first unitary heater with flue temperatures low enough for venting with PVC flue material.

Other design features include twin 100% parabolic reflectors enclosed by a single canopy to ensure minimal convective heat loss. The APEX range also includes the Energy Recovery Exchanger (ERX) module to maximize thermal efficiency. The twin multi-speed fans and the two stage gas valve ensure optimal efficiency at both high and low firing rates. For energy conservation, quality and performance, the APEX range truly has no equal.

- Radiant efficiency 45% greater than standard heaters
- Thermal efficiencies in excess of 90%
- PVC flue
- Dual stage firing with air and fuel modulation
- Energy Recovery Exchanger (ERX)
- Independent 100% reflective parabolic insulated reflector system



DIMENSIONS



GENERAL SPECIFICATIONS

APEX MODEL	LOW/HIGH RATE BTU/HR	HEAT EXCHANGER LENGTH	BAFFLE	MINIMUM CLEARANCE TO COMBUSTIBLES					
				BELOW	SIDE	ABOVE	BEHIND	END WALL	
AX-140N	85,000 - 135,000	40'	18'	Vented	91"	40"	4"	23"	21"
				Unvented	91"	40"	4"	45"	21"

Gas Supply

Inlet Pressure

- NG Min 5.0" W.C.
- NG Max 14.0" W.C.

Manifold Pressure

- NG High Rate 3.5" W.C.
- NG Low Rate 2.4" W.C.

Inlet Connection

NG or LPG: 1/2" NPT

Electric Supply

120 V AC, 60 HZ, 1 Amp: 36" cord, grounded 3 prong plug

Flue and Outside Air Connection

4" plastic flue adapter and connection for outside air (optional) provided at the heater

Standard Equipment

- Burner housing assembly
- Heat treated aluminized tubing with gasket
- Combustion air inlet collar
- Turbulators when required
- All tubes, reflectors, couplings, end caps and hanging accessories per specified length



www.AdvancedRadiantSystems.com

- Operation Manuals
- Specifications
- Submittal Data
- Parts and Service
- Other Products
- Weights

315 N. Madison Street

Fortville, IN 46040

800-874-3285

tel 317-577-0337 | fax 317-485-0118

sales@advancedradiantsystems.com



DISTRIBUTOR